

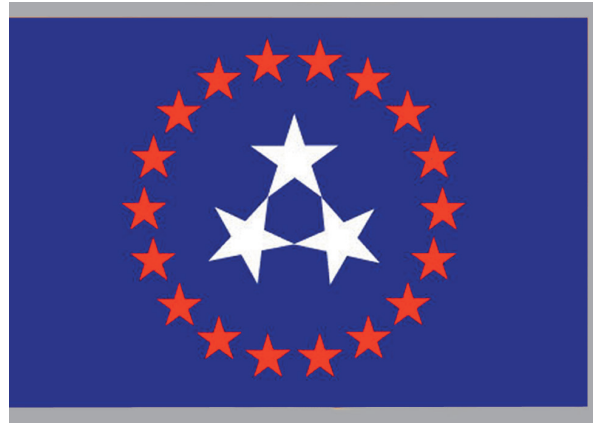


A Message from
John Yeamans
District Commander

It is a great honor to be chosen by the District Nominating Committee and District 3 membership to serve as your District Commander for 2022-2023. Thanks to the Nominating Committee for recruiting this year's dedicated volunteers for D3 Officers and committees. We are all proud and excited to be working with the Squadron Commanders and their bridges.

As we merge from the doldrums of the past two years, we are excited to move our great organization forward on a course of reinvigorating our membership and reaching out to new members. It is our goal to set forth with determination to lead America's Boating Club toward relevancy in our changing and challenging times. While we embrace the changes ahead, we want to honor the mission and past of our organization. Committed to safe boating education, we are finding new ways to reach out to our communities, especially with the Brianna's Law requirements for boating certification. We know we have tremendous knowledge, skills, and expertise among us. Our challenge is to connect with the community and share it. Our bond is our common love of Long Island's water and waterways.

This year's logo "Yeamans' Mariners" taps the time-honored code of Mariners through the ages of reaching out to seafarers in need, through our Boating Safety Education initiatives. It symbolizes the brave who went forth into the unknown as explorers, sharing innovation across the world and into our space program and beyond! America's Boating Club is evolving as the needs and lifestyles of boaters and society evolve.



**THE PAST DISTRICT COMMANDERS
OF DISTRICT 3
WISH JOHN YEAMANS, SN-CN
THE BEST OF LUCK AND
A SUCCESSFUL WATCH**

- | | |
|---------------------------------|-------------------------------|
| 1982 Daniel Katz, SN | 2010 John Sanfilippo, AP |
| 1985 John Holub, SN-ON | 2012 Lawrence Postel, SN-ACN |
| 1989 Guy Anastasio, SN-CN | 2013 Barry Rush, SN |
| 2002 Richard Frenz, SN | 2014 Daniel Flinn, SN |
| 2003 Robert Holub, SN-ON | 2015 Ann Peltier, SN-IN |
| 2004 Angelo Giovanniello, SN-ON | 2017 Ann Frenz, SN |
| 2005 Janet Taylor, SN | 2018 Frederick Smith, JN-ACN |
| 2006 Ron Friedmann, AP | 2020 Elizabeth Mandara, SN-CN |
| 2009 Gardham Comb, SN | 2021 George Hoffman, SN-ON |



J/P/D/C MESSAGE GEORGE HOFFMAN

Thank you ALL for a wonderful year as your District Commander. It has been a distinct honor and privilege.

I would especially like to thank the District Bridge, our XO John Yeamans, our SEO Bob Bernstein, our AO Chris Smith, our secretary Lucy

Jackson, and our Treasurer Sally Couluris for a job well done and of course, the assistant bridge officers too. Then, there were my helpers, Flag/Lt Heidi Dearing, and Chaplain Mary Anne McCoy and Advisors: Bob Holub, Fred Smith, Ann Peltier, Angelo Giovannello and Betsy Mandara who were always there for me when I needed help! My aides who were my hands and feet, Bob Dearing, Joe Mandara, Peter Ljungqvist and James Milton who I depended on heavily for Zoom Meetings! These people make the District Commander look good!

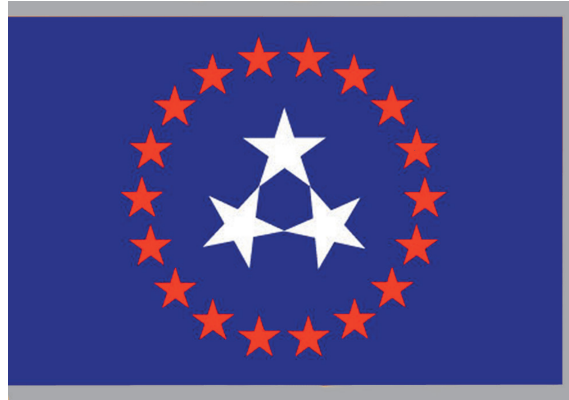
I would be remiss in not thanking the 75 or so other “workers” in District 3 without their efforts there wouldn't be a District 3. They are the “Lines” that hold us together--my Commanders.

Though the COVID and variants did put a dent in our activities to some extent, it did not stop us from having events and classes. We were able to attend Rendezvous East--our big summer festival. I was able to get out to some squadron events which were always great. We learned that “Zoom” classes were possible and helped us further educate not only locally but by considerable distances! We continued the “Poster Contest” this year but on a MUCH larger scale by again using Zoom. We had over 300 entry's-- an unprecedented number! Thank you, James Milton!

There were too many things that happened for the better this year that couldn't be named here but it was the effort of all the “Lines” that made it possible. Let's all continue to be Lines and not “Ropes” our future depends on it.

My hopes and good wishes to John Yeamans as he takes command of the District with the help of his wife Loretta. May they also have a most successful year.

And now, I would like to say THANK YOU ALL for a most wonderful year, I will always cherish the memories.
as well.



THE BEST OF LUCK TO D/CDR JOHN YEAMANS, SN-CN AND DISTRICT 3 FOR A SUCCESSFUL WATCH

D/Lt/C Christopher Smith, JN

D/Lt/C Bob Bernstein, SN

D/Lt/C John Pergola, AP

D/Lt/C Sean Donohoe, SN

D/Lt/C Lucy Jackson, SN

D/Fl/Lt Heidi Dearing, S

D/1st/Lt Marie Wallach, AP

D/1st/Lt Michael Sawaya, P

Chaplain D/Lt Mary Anne McCoy, SN

Advisor P/R/C Angelo Giovanniello, SN-ON

Advisor Stf/C Robert Holub, SN-ON

Advisor P/D/C Betsy Mandara, SN-CN

Advisor P/D/C Fred Smith, JN-ACN

Advisor P/D/C Ann Peltier, SN-IN

Aide D/Lt Robert Dearing, N-ACN

Aide D/Lt Robert Gross, SN-IN

Aide D/Lt Joe Mandara, SN-CN

Aide D/Lt Diane Sherman, P

Aide D/Lt Kathleen Wells, AP

Aide D/Lt Loretta Yeamans, SN-CN



THE BRIDGE



JOHN YEAMANS, SN – District Commander and Loretta

John is a Long Island native and Viet Nam Veteran. He and his wife, Loretta, live in Farmingville, NY, have four adult children and nine grandchildren. The family enjoys camping, boating and creating great family time and memories. John worked in healthcare management and real estate. John volunteered in local American Red Cross & Heart Association training and served as Board Chairperson of a children’s day care center.

John first joined Patchogue Bay in 1987, when he purchased their boat, the “Ynaut”. He moved up the Bridge of Patchogue Bay and served as Commander in 2014 and 2017. John served as Chairperson of D3 Rendezvous East since 2016. In 2019, John became D3 Administrative Officer and has moved up the Bridge. John is looking forward to leading the new D3 Bridge as District Commander of the “Yeamans’ Mariners” for the 2022-23 watch!



CHRIS SMITH, JN -Executive Officer and Tracey

Christopher and Tracey have been very active members since joining Jones Beach Power Squadron in 2009. Upon joining Christopher has worked his way through the ranks to Commander twice. Not stopping there, he also was assistant Treasurer for District and has been an Aide for several past District Commanders. Christopher runs his family’s home improvement company and is a finish carpenter by trade.

Besides his obvious love for boating, Chris has many other passions as well. He is an avid hunter and outdoorsman and is very mechanically inclined (He once fixed Sea Tow’s boat which was towing his own boat at the time). Chris’ boat’s name is “Always Something.” Those who know Chris understand his boat name perfectly as his credo. Something always breaks and Chris is always fixing it.

Christopher and Tracey have been married for 12 years and live in Amity Harbor with their two dogs Sancho and Paco. The dogs love spending time on the boat with Chris and his wife loves him, so she goes too. One thing the four members of the Smith family all love is their membership and camaraderie with the Jones Beach Power Squadron.



BOB BERNSTEIN, SN - Educational Officer and Bonnie

Bob and Bonnie have been members of the Patchogue Bay Power Squadron since 2009. Bob has been an active member since he joined. He has gone up the squadron’s bridge twice and has been their Commander 2012-2013 and 2014-2015. Upon joining the squadron he immediately started taking classes and obtained the grade of SN in 2016. Bob was the D/3 Assist. Education Officer for the last three years assisting and learning about the position from Luann Kazanecki, SN.

In 2020 he stepped into the District Educational Officer position guiding our District’s and Squadron’s Educational Programs during these most trying times due to the COVID-19 virus.

He previously was a traveling manufacturing jeweler, selling his products to major retailers and mom and pop stores across the country and is now semi-retired. Bob and Bonnie have 3 children and 3 grandchildren. They reside in Bayport and have a 39 ft. Silverton they dock at Sunset Harbor in E. Patchogue. During Boating season, they live on their boat from Thursday to Sunday and enjoy entertaining at the dock with friends and family.



**THE COMMANDERS OF DISTRICT 3
WISH JOHN YEAMANS, SN-CN
THE BEST OF LUCK AND
A SUCCESSFUL WATCH**

Captree	Jack Stange, AP
Great South Bay	James Milton, JN
Hempstead Bay	Bhowaney (Jay) Balkissoon, P
Jones Beach	Robert Natoli, SN-ACN
Moriches Bay	John Taylor, JN
Oyster Bay	Kevin Kuo, JN
Patchogue Bay	Loretta Yeamans, SN-CN
Peconic Bay	Fred Smith, JN-ACN
Port Washington	Robert Kovach, SN
South Shore	Debra Daly, S

THE BRIDGE *(cont'd.)*



JOHN PERGOLA, AP - Administrative Officer

John joined the Great South Bay Power Squadron in 2010 because he was interested in gaining as much knowledge as he could about Boating. Ascended the squadron bridge from 2016 to 2021 and served as Commander in 2018 and 2021. He has served on numerous committees over the past six years and has received the skipper and the pilot award; served as Tent Captain; was a member of the Nominating Committee; was Co-Op Charting Chair for two years and won the Commander's Challenge Award in 2018.

John is a Steam Engineer/Steam Fitter at Brookhaven National Lab. His favorite places to Boat on long Island are Barrett Beach, Davis Park and Garbage Cove. And when given the chance he enjoys Atlantique Beach.



LUCY JACKSON, SN - Secretary

Lucy and husband Bob acquired a boat in 2003 and took a boating class. They went on the Educational Cruise and joined Patchogue Bay Power Squadron that same year. She was the Secretary in 2004-2008 and became commander 2010-2011. She is presently the Historian, Merit Mark Chair, Publications chair, and, once again, the Squadron Secretary. On the district level Lucy is the Membership Involvement Chair, Journal Content Editor, was Asst Secretary for a couple of years and is currently District Secretary.

She is a retired school secretary who worked in the Accounts Payable Department, secretary to the Athletic Director and just before retiring was secretary to the Middle School Principal.

Lucy's husband passed away in 2006 and misses him very much. She has 9 grandchildren, 11 great grandchildren and loves them dearly.

She always wanted to attend College, but family finances prevented that after High School. She enrolled at Suffolk Community College at the age of 40 and has an Associates in Paralegal Studies. Lucy truly believes in America's Boating Club and what it represents as education is priceless.



SEAN DONOHOE, SN – Treasurer

Sean has been an active member of the Bayside Power Squadron since 1998. He served as Squadron Commander from 2004-2006 and currently serves as Squadron Treasurer and for the past year, he has served as the District 3 Assistant Treasurer. After his term as Squadron Commander, he served as District Chairman of the Leadership Development Committee and has been an aide and flag lieutenant to many District Commanders. Sean is between boats right now. He used to have a 30-foot Boston Whaler Sport Fisherman spending a lot of time fishing and travelling on the Long Island Sound.

Sean was a sergeant in the New York City Police Department and retired in 2012 after 20 years of service. He is actively looking for a boat so he does not have to go to Rendezvous East by car anymore. He is single and lives in Queens.



HEIDI DEARING, S - Flag Lieutenant and Bob

Heidi has been an active member since 2002, joined Captree Power Squadron and was Commander from 2009-2011. She started the Captree Children's Holiday Party and served on the Nominating, Executive and Awards Committees. Heidi is currently a member of the Jones Beach Power Squadron and is their Administrative Officer and Assistant Secretary.

Heidi Serves on the District 3 Journal Committee acquiring ads and boosters and has also served as chair of Membership, Good and Welfare, Emergency Call list as well as District Flag Lieutenant in 2014 as a Navigator, 2019 as a Terrapin and 2021 as a D/3 Lines.

She has recently retired from TD Bank after 15 years.

Heidi and Bob enjoy boating, cruising and spending time with their three grandchildren, Isabella 11, Madison 9 and Jack 4.



District 3 Rendezvous East **Mitchell Park Marina, Greenport, New York** **29 - 31 July 2022**

Friday - 29 July 1600-1700
Set-up and Bracelet Distribution

1700 - 1830

District 3 Mariner Commander's host "Welcome to Greenport" Get-Together

1830

Free Time! Dinner on your own or picnic under the tent

2000 - 2200

D3 Mariners' Evening Mixer! Entertainment and snacks

Saturday 30 July 0830 -1000

Continental Breakfast - courtesy of Peconic Bay Squadron

1030

Assemble for Flag RaisingOn Lawn....Uniform D or E

1100

Flag Raising

1145

Incoming Commanders' Meeting with D/3 Bridge...under the tent

1300 - 1530

Squadron Hospitality Mixer

1530 - 1730

Clean-up/Set-up for Dance ... Tour Greenport ... Relax!

1830

Evening Program bracelet check-in

1900 - 2300

"Cruising Long Island!!!" Theme Dance

2200-2300

Raffle Drawing and then Clean-up

Sunday 01 August

1100 - Departure time for boats *Safe Trip Home!*

Journal Staff Chair: P/R/C Angelo V. Giovanniello, SN-ON, 631-661-5318

Advertising Information: D/FI/Lt Heidi Dearing, S, 516-316-0767 Content: D/Lt/C Lucy Jackson, SN 631-289-2328

Photographers: J/P/D/C George Hoffman, SN-ON • P/D/C Betsy Mandara, SN-CN

THE BRIDGE (cont'd.)



Douglas Durfee SN
Asst Educational Officer



Michael Sawaya, P
Asst Administrative Officer



Marie Wallach, AP
Asst. Secretary



Mary Anne McCoy, SN
Chaplain



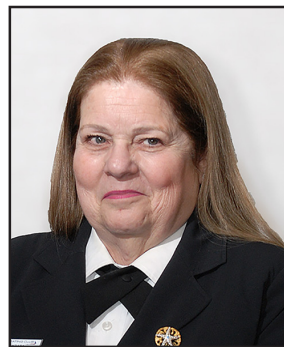
Angelo Giovanniello, SN-ON
ADVISOR



Robert Holub, SN-ON
ADVISOR



Fred Smith, JN-ACN
ADVISOR



Betsy Mandara, SN-CN
ADVISOR



Ann Peltier, SN-IN
ADVISOR



George Hoffman, SN-ON
ADVISOR



Loretta Yeamans, SN-CN
AIDE



Joseph Mandara, SN-CN
AIDE



Diane Sherman, P
AIDE



Bob Gross, SN-IN
AIDE



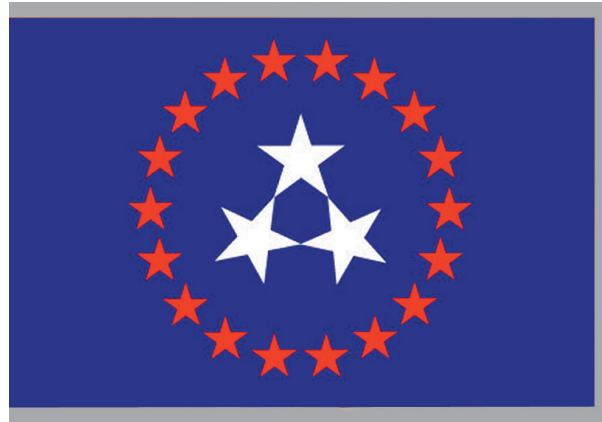
Kathleen Wells, AP
AIDE



Robert Dearing, N-ACN
AIDE



James M. Milton, JN
AIDE



DISTRICT 3 FLAG

The District 3 Flag was approved by the National Flag and Etiquette Committee and adopted in 2000. The significance of the flag design is as follows: The three white stars signifying District 3 are enclosed in a circle of 18 red stars symbolizing the 18 squadrons of District 3 at that time. The blue

background symbolizes the waters surrounding Long Island. The flag is embellished with a platinum border signifying District 3 has attained its seventy-fifth anniversary. This new District 3 flag was designed by P/R/C Angelo V. Giovanniello, SN-ON.

D/3 MARINERS

District 3 is unique in the long-standing tradition that the District Commander chooses a significant name and symbol to characterize the identity for their year in office and thereafter. The tradition started in 1965 with D/C Frank Haslach, N. His commanders formed a close friendship and wanted to continue the camaraderie after their terms of office ended.

Following that tradition, for my year, I chose "Mariners". Why? Because it's that unwritten code among seafarers to help a fellow boater, no matter what the circumstances.

When you think about it, that is why ocean-going ships alter their routes and go hundreds of miles off course to rescue another vessel in distress or a Power Squadron member volunteers time and skill to help other boaters safely navigate to enjoy a day on the water--alters his course to render assistance to a fellow boater. It's all about the Mariner's code.

So, together as "Mariners", we are called to chart a new course, reaching out to young and older boaters, offering online creative boating safety courses, community outreach and social fraternity to achieve positive outcomes for the future of America's Boating Club!

The route less traveled is often - challenging and filled with wonder and unknowns. But our mutual love of adventure and lure of the water calls to us to set a steady course for District 3, squadrons and the boaters that come after us. Safe boating today and tomorrow. We can do this!

Haslach's Has Beens
Pallas Guards
Angnello's Angels
Earl's Pearls
Tom's Cats
Raskin's Rascals
Donald's Ducks
Wally's Wheels
Kess' Crew
Burgio's Buoys
The Marksmen
Bob's Beacons
Shed's Sharpies
Howard's Skippers

Bill's Bosun's
Braun's Buccaneers
Danny's Dolphins
The Whales
Davis' Clippers
Holub's Seahorses
Pollio's Pilots
Al's Anchors
Leo's Lights
Guy's Gulls
Joe's Mariners
Dave's Dories
Karl's Cruisers
Harry's Helmsmen

Jack's Stars
Montague's Marlins
Friedland's Fisherman
Ron's Rays
Terry's Pirates
Bradley's Barracudas
Camelot Commanders
The Leprechauns
Frenz's Frigates
Bob's BraveHearts
Angelo's Angels
Taylor's Tankers
Friedmann's Foghorns
Bob's Buccaneers

Pete's Pelicans
Gar's Lifesavers
Sanfilippo's Penguins
Eric's Eagles
Larry's Lanterns
Barry's Bosuns
Dan's Navigators
Peltier's Pearls
Neil's Dolphins
The Seafaring Frenz
Fred's Defenders
Tom's Terrapins
Betsy's D/3 Sea Stars
George's Lines

SQUADRON



COMMANDERS



BAYSIDE

SETH CIRKER, SN-CN and Sarah
38 Richards Rd, Port Washington, NY 11050 • 516-883-8848
scirker@gmail.com

Meetings: 3rd Monday of the month, St Anastasia's Parish Center, Douglaston



HEMPSTEAD BAY

BHOWANEY (JAY) BALKISSOON, and Lolita
103-38 97th Street, Ozone Park, NY, 11417 • 929-291-9886
capt.jaymarineinternational@gmail.com

Meetings: Last Thursday of the month, American Legion, Valley Stream



CAPTREE

JOHN (Jack) STRANGE, AP and Mary Ann
PO Box 2686, North Babylon, NY 11703 • 516-428-2164
skippersterling@yahoo.com

Meetings: 3rd Wednesday of the month, Moose Lodge, Lindenhurst



JONES BEACH

ROBERT NATOLI, SN-ACN
6 Falcon Lane, Levittown, NY 11756 • 516-796-1494
bobn3@aol.com

Meetings: 1st Thursday of the month, American Legion Hall, Seaford



GREAT SOUTH BAY

JAMES M. MILTON, JN
105 Jefferson St. East Islip, NY 11730 • 631-681-7650
jmilton040@gmail.com

Meetings: Ancient Order of Hibernians' at 65 Champlin Ave, East Islip
Check BoatGSB.org for day of meetings



MORICHES BAY

JOHN TAYLOR, JN and Janet
30 Wedgewood Lane, Brookhaven, NY 11719 • 631-286-0599
farmer61sn1@yahoo.com

Meetings: 4th Tuesday of the month, JC's Restaurant at Mike's Place Too, Mastic



ACTIVITIES OF DISTRICT 3

Cruises '22 -- TBD

Commander John Yeaman, SN-CN is planning Cruise activities with P/D/C Betsy Mandara, SN-CN and a Fishing Trip by Stf/C James Milton, JN. The plans are not finalized due to Covid restrictions, but Information will be forthcoming when all has cleared and we will be able to get together. Notices will be distributed to all squadrons.

Co-Chairmen: P/D/C Betsy Mandara, SN-CN 516-650-8070 and Stf/C James Milton, JN 631-681-7650

Rendezvous East - 29-31 July 2022 Mitchell Park Marina, Greenport, NY

District 3 plans to return to Mitchell Park Marina, Greenport, depending on N.Y.S. COVID status. We are optimistic about this event! This year's Theme is "Cruising Long Island" Come join us for the "Welcome to Greenport" get-together hosted by the D3 Mariner Commanders and the other exciting activities that fit into our new lifestyle. The agenda will be developed and distributed based on health recommendations and regulations. Follow Rendezvous East planning on D3 Website and stay healthy.

Co-Chairmen: D/C John Yeaman, SN-CN and Cdr Loretta Yeaman, SN-CN 631-763-0541J

Fall Educational Conference-Melville Marriott - 12 November. 2022

The morning of the Educational Conference is devoted to seminars on USPS education courses. There is also a juried display of teaching aids submitted by the various squadrons. After lunch the D/3 Conference convenes to act on district business and present education and teaching aids awards.

Chairman: D/Lt Dick Jost, SN 631-374-8453 and D/Lt Luke Closs, SN 516-799-0032

Spring Conference and Change of Watch - 24-25 March 2023

The Spring Conference weekend will be held at the Melville Marriott. It begins with the D/C s' Cocktail Party Friday evening. On Saturday morning, there is a keynote speaker followed by workshops for the various committees. After lunch, the conference reconvenes with District awards and concludes with the District Change of Watch. Squadrons open their hospitality rooms in the afternoon and a dinner dance closes the festivities Saturday evening.

Chair: P/R/C Angelo V. Giovanniello, SN 631-661-5318

Educational Hotline - 1-800-341-USPS (8777)

The educational hotline gives callers information on boating courses in their area. The recorded message gives the dates, locations and contact persons for the boating courses offered by squadrons of D/3. Messages are updated continuously.

Chairman: D/Lt Linda C. Bradley, SN - 631-243-5240

Boat Shows

District 3 secures space and sets up a booth at local boat shows to dispense information about boating classes and USPS. We are represented at boat shows held at TOBAY, Javits Center, Nassau Coliseum and other local venues. The booth is staffed by representatives of the D/3 squadrons.

Co-Chairmen: D/Lt Fred Deppert, AP - 516-379-8320

Council Meetings

6 May, 21 October 2022 and 03 March 2023

The meetings are held at the Melville Marriott. One may come for attitude adjustment hour at 1830 and dinner at 1900, The meetings begin promptly at 2000. All members of District 3 are welcome.

Memorial Service - Sunday 16 April 2023

Sea Star Commanders expected at 1500 and the Service begins at 1530 at the United Methodist Church, 35 Middle Neck Road, Port Washington, NY. On Sunday afternoon members, families and friends pause to remember those members of our district who have departed from us during the year. Refreshments follow the church service.

Chairman: J/P/D/C Betsy Mandara, SN 516-650-8070

Website

The District maintains a website, weboatsafe.org and usps.org/localusps/D3 to keep members up-to-date on all the happenings in District. Looking for a specific course? The website lists member courses offered by the squadrons as well as public boating courses. You will also find the district calendar which lists the various social activities happening in squadrons around Long Island. All activities in any squadrons are open to any USPS member.

Webmaster: P/D/C Ann Peltier, SN-IN, 631-447-1051



NEPTUNE

STUART TRIMM, AP

27 Grant Stree, East Northport. NY 11731 • 631-754-6724
mitshu.boficus@gmail.com

Meetings: 3rd Thursday in Sept., Nov., Mar., & June, Northport Yacht Club



PATCHOGUE BAY

LORETTA YEAMANS, SN-CN and John

5 Fairfax Drive, Farmingville NY 11738 • 631-736-0541
Loretta526@gmail.com

Meetings: 2nd Friday of the month, SuffolkBoat Club, Patchogue



OLD FIELD POINT

RONALD GUZEWICH, SN and Terry

10 Andrea Drive, Setauket, NY • 631-689-3982
rguzewich@msn.com

Meetings: 1st Monday of the month, Mount Sinai Yacht Club



PECONIC BAY

FRED SMITH, JN-ACN and Nancy

500 Azalea Road, Mattituck, NY 11952 • 631-298-1930
fbsmithtapman@aol.com

Meetings: 3rd Thursday of the month at various locations



OYSTER BAY

KEVIN P. KUO, AP and Celeste

20 Westminster Road, Syosset, NY • 516-433-2973
kevinkuo97@gmail.com

Meetings: 2nd Monday of the month, Sagamore Yacht Club, Oyster Bay



PORT WASHINGTON

ROBERT KOVACH, SN and Nancy

86-15 Broadway, Apt 15E, Elmhurst, NY 11373 • 718-271-2055
challenge767@yahoo.com

Meetings: 3rd Monday of the month, N. Shore Yacht Club, Port Washington



What is a Vessel Safety Check?

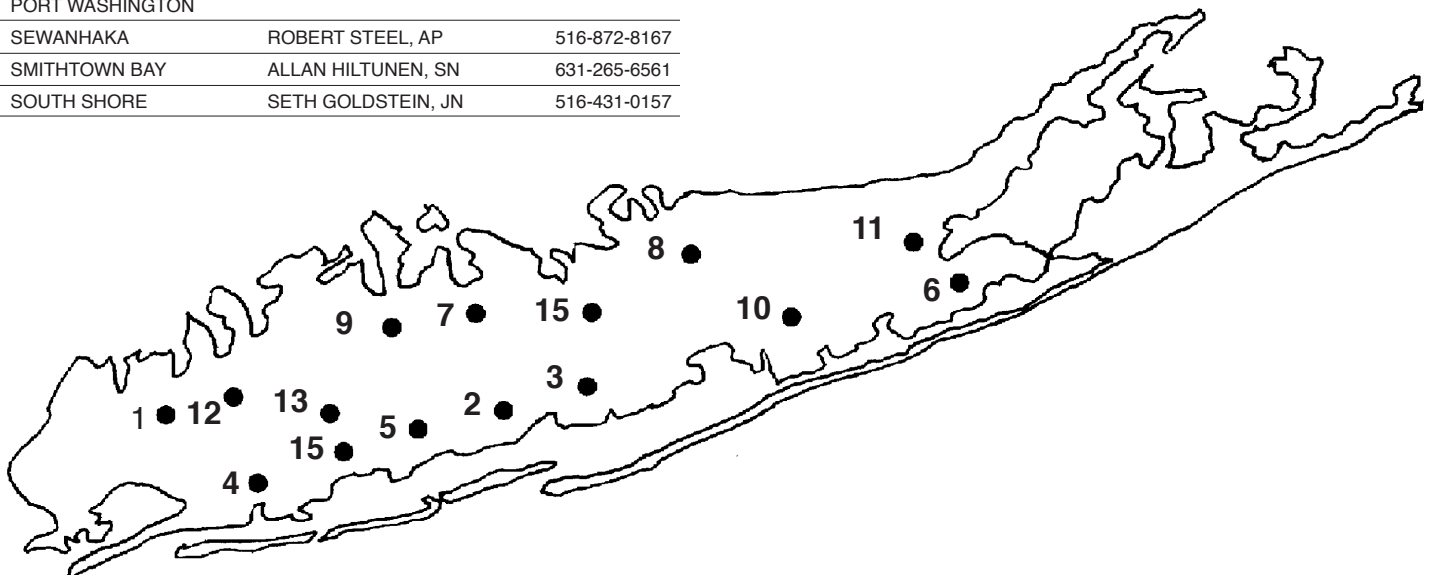
A vessel safety check is a courtesy examination of a boat to verify the presence and operable condition of certain safety equipment required by state and federal regulations. The Vessel Examiner is a trained specialist and is a member of America's Boating Club or the US Coast Guard Auxiliary. They will also make certain recommendations and discuss safety related issues that will make boat owners safer boaters.

The inspection is really quick and easy. Many trailerable boats can be inspected in ten minutes. All boaters will receive a copy of the evaluation form at the end of the inspection. Boats that meet the safety requirements will receive a current Vessel Safety Check decal to be displayed on board.

District 3 Squadrons and Vessel Safety Check Contacts

SQUADRON	CONTACT	
1 BAYSIDE	EUGENE MOLteni, SN-ON	718-224-2124
2 CAPTREE	CHARLES VIRGA, AP-IN	631-335-4169
3 GREAT SOUTH BAY	JAMES M. MILTON, JN	631-681-7650
4 HEMPSTEAD BAY	NOEL GUZMAN, AP	718-507-0910
5 JONES BEACH	ROBERT HOLUB SN	516-795-4211
6 MORICHES BAY	RICHARD LANNI, P	631-399-2766
7 NEPTUNE	DON LaGRECO, AP	631-271-8561
8 OLD FIELD POINT	JOHN PETERSON, S	631-585-7432
9 OYSTER BAY	DENNIS PUCCIO, S	631-628-2109
10 PATCHOGUE BAY	ROBERT GROOS, SN-IN	631-879-8686
11 PECONIC BAY	ROBERT SANANGELO	631-655-7520
12 PORT WASHINGTON		
13 SEWANHAKA	ROBERT STEEL, AP	516-872-8167
14 SMITHTOWN BAY	ALLAN HILTUNEN, SN	631-265-6561
15 SOUTH SHORE	SETH GOLDSTEIN, JN	516-431-0157

Trailered Boats can be brought to selected marine centers or arrange for a future VSC appointment at their boat launches, marinas or yacht clubs with a Vessel Examiner in your area from the list shown on the left. Vessel Safety Checks are not a boarding or a law enforcement issue. No citations will be given if boats do not meet safety requirements. Your boat will pass inspection once the requirements are met. Listed on left are the Vessel Safety Check Chairmen.





SEWANHAKA

FRED DEPERT, AP and Christina

52 East Bedell Street, Freeport, NY 11520 • 516-379-8320

fdeppert@optonline.net

Meetings: 3rd Thursday of the month, Guy Lombardo Marina, Freeport,



SMITHTOWN BAY

THOMAS RONDI, AP and Ann Marie

103 Harvard Avenue, Smithtown, NY 11787 • 631-338-0656 (c)

tom@gmail.com

Meetings: 2nd Wednesday of the month, Stony Brook Yacht Club



SOUTH SHORE

DEBRA DALY, S and Larry

52-52 State Route 145, Cobleskill, NY 12043 • 631-860-4198

sunshinedaly13@aol.com

Meetings: 2nd Thursday of the month, Baldwin Park, Seaford



Unaut

JOHN & LORETTA YEAMANS



Still Looking

SEAN P. DONOHOE



Our Dream II

HEIDI & BOB DEARING



**Mary Anne
& Joe**



Daddy's Dream

LUCY & BOB JACKSON



**Best Wishes to our
Incoming Bridge**

SALLY COURLURIS

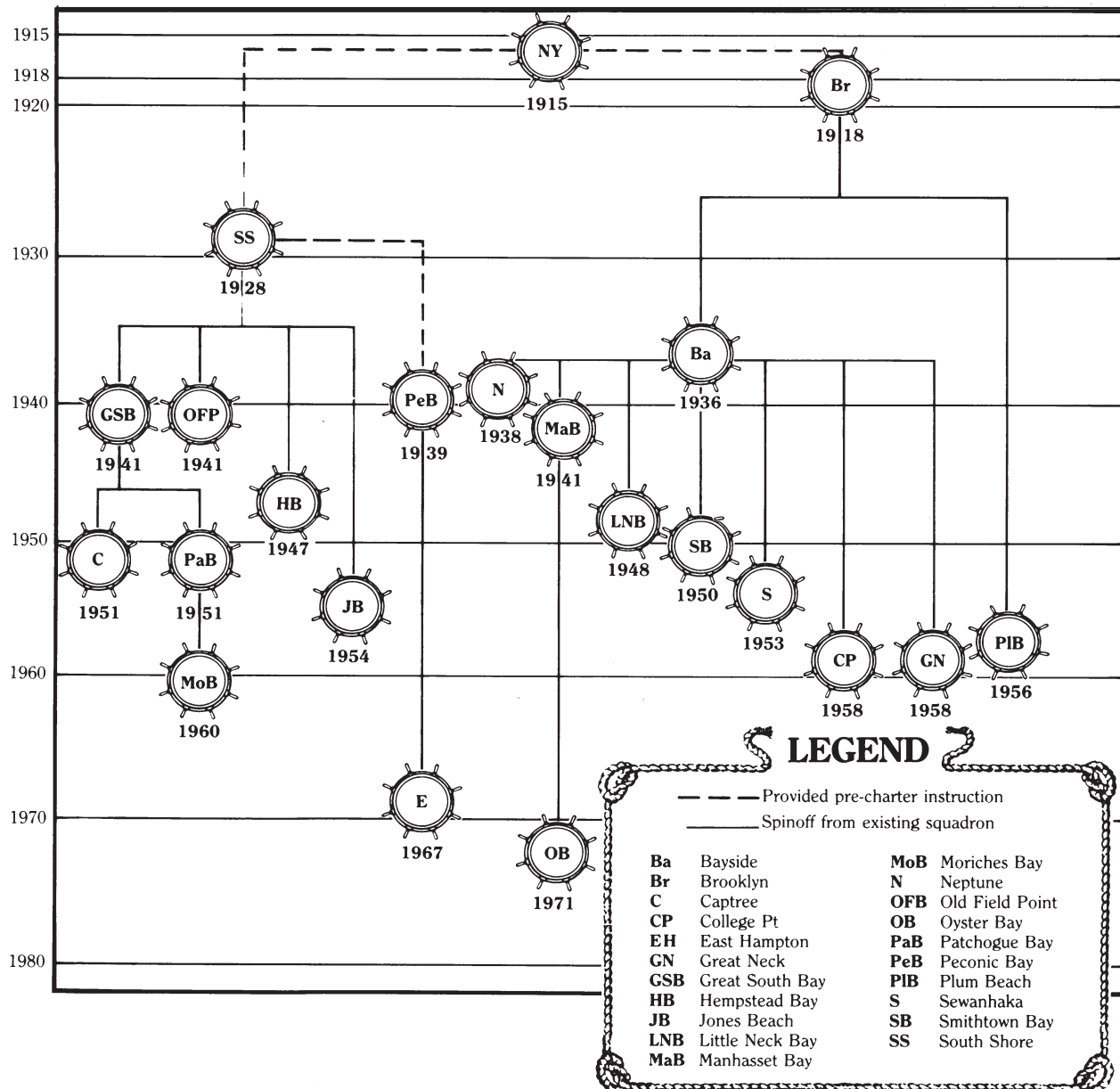


DISTRICT 3 GENEALOGY

By 1938 the United States Power Squadrons was an organization of 5,000 members with 33 squadrons. That year the Governing Board approved the establishment of 7 divisions and they appointed a Rear Commander to administer each division. Later the designation division was changed to District and in 1947 the officer in charge was changed to the elected position of District Commander.

The New York squadron had provided pre-charter instruction to the Brooklyn (1918) and South Shore (1928) squadrons. Brooklyn helped to establish Bay-

side (1936) which, in turn, spun-off Neptune (1938). District 3 was officially established on 13 December 1938 to include the Brooklyn, South Shore, Bayside, and Neptune squadrons. The district grew for thirty-five years reaching a peak in 1970 of over 5,000 members in 21 squadrons. With less interest in boating, membership declined drastically during the late 70s and early 80s, but the tide has turned and District 3 has again begun to grow. In 2019 District 3 now has 15 active squadrons.





DISTRICT 3 AWARDS AND TROPHIES

Cruise and Rendezvous Trophy

The present Cruise and Rendezvous Trophy, a large handsome trophy cup mounted on a two-tiered walnut pedestal, is a perpetual District 3 award presented annually at the Fall Conference for boating participation at the District Rendezvous. The winner of the trophy is determined by a formula that takes into account the distance traveled to the Rendezvous location, and the number of squadron boats in attendance relative to the total membership of a squadron.

The idea of a Cruise and Rendezvous Trophy was jointly conceived by the members of Patchogue Bay and Peconic Bay squadrons. The original trophy, donated by Peconic Bay Power Squadron in 1967, was to be an annual award with the stipulation that any squadron that won the award three times would be entitled to keep it. Patchogue Bay succeeded in winning the award in 1968, 1969, and 1970. Thus they took permanent possession of the original trophy. To continue the award the following year Patchogue Bay donated a new trophy for presentation with the same contest rules applying. It did not seem likely

that a squadron could dominate the competition again. However, Great South Bay Power Squadron achieved this winning the trophy in 1971, 1972, and 1973.

The following year, Great South Bay Power Squadron reinstated the award. This time, however, the "three consecutive wins" rule, entitling a squadron to keep the trophy, was dropped to assure that this would be a perpetual award. Great South Bay squadron purchased the present trophy and deeded it to the District in 1974. Great South Bay has gone on to win the award 29 of the 35 years, including seventeen years in a row. In 2014 Jones Beach won the award and in 2013, 2015 & 2016, 2017, and 2019 the trophy was won by Patchogue Bay.



PRINCE HENRY AWARD

The seated likeness of Prince Henry the Navigator of Portugal was given to a number of USPS districts by the government of Portugal for promoting education in the art of navigation.

In D/3 this award is presented at the Spring Conference to the



squadron who had the highest percentage of members advance in grade. The recipient is determined by a point system that takes advanced grades relative to the total membership of the squadron. Recipient: 2021 Jones Beach

HAEDRICH MEMORIAL TROPHY

The Brooklyn Power Squadron established the Haedrich Memorial Bell Trophy in remembrance of Harold W. Haedrich who was a past commander of Brooklyn Squadron and one of the original commanders of District 3. The ringing of the Haedrich bell traditionally opens and closes our district conferences.



The trophy is awarded at the Spring Conference based on a complex formula that takes into account advanced grades and elective courses completed and membership retention. Recipient: 2021 Neptune

